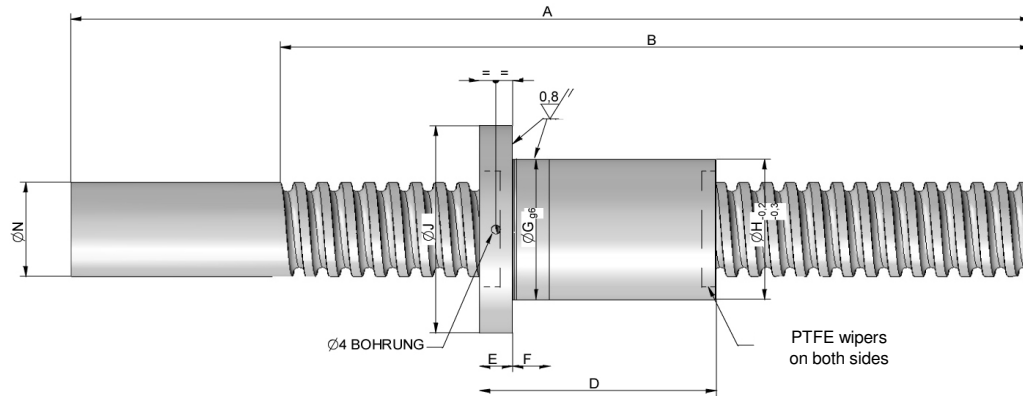
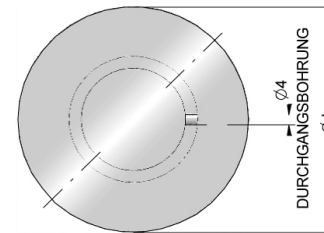


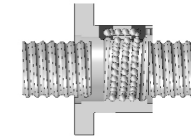
## JTi serie: Precision BSA in Zoll, nut with soft flange



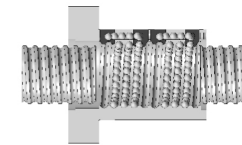
Soft flange - max. 41 HRC



Ball deflection



\* Preload by ball diameter



\*\* Preload by pitch

### JTi serie: Precision BSA in Zoll, nut with soft flange, accuracy class IT 1: 6µm, IT 3: 12µm, IT5: 23µm, IT7: 52µm pitch error

Article	Diameter	Pitch	A	B	D	E	F	G	J	N	Ball diameter	No of turns	Preload [kN]	Drag torque [Nm]	dyn. capacity [kN]	stat. capacity [kN]	Stiffness [N/µm]
JTiX - 0,625 x 0,200*	0,625"	0,200"	700	600	40	10	10	28	54	15	3,0	1 x 3	0,42	0,03	8,4	12,9	265
JTiX - 0,750 x 0,200*	0,750"	0,200"	850	750	42	10	10	36	60	19	3,5	1 x 3	0,60	0,05	11,9	19,9	295
JTiX - 1,000 x 0,200*	1,000"	0,200"	1350	1200	42	10	10	40	73	24	3,5	1 x 3	0,65	0,08	13,1	24,7	340
JTiX - 1,000 x 0,250*	1,000"	0,250"	1350	1200	46	10	10	40	73	24	3,5	1 x 3	0,65	0,08	13,1	24,6	340
JTiX - 1,250 x 0,200**	1,250"	0,200"	2000	1850	73	12	10	50	80	31	3,5	2 x 3	1,77	0,23	17,7	40,3	580
JTiX - 1,250 x 0,250**	1,250"	0,250"	2000	1850	81	14	16	50	80	31	4,5	2 x 3	2,50	0,32	25,0	51,7	640
JTiX - 1,500 x 0,200**	1,500"	0,200"	2000	1850	86	14	10	56	87	39	3,5	2 x 4	2,49	0,40	24,9	67,7	910
JTiX - 1,500 x 0,250**	1,500"	0,250"	2000	1850	95	14	16	63	87	39	4,5	2 x 4	3,50	0,56	35,0	85,0	1010
JTiX - 2,000 x 0,200**	2,000"	0,200"	2650	2450	88	16	16	75	106	49	3,5	2 x 4	2,73	0,55	27,3	85,7	980
JTiX - 2,000 x 0,250**	2,000"	0,250"	2650	2450	97	16	16	75	110	49	4,5	2 x 4	3,86	0,77	35,8	88,5	1140
JTiX - 2,250 x 0,500**	2,250"	0,500"	3200	3000	173	18	16	92	132	55	9,0	2 x 4	10,32	2,35	103,2	236,2	1350

Order example:

JTi1-0,625x0,200: BSA 16 x 5,05; accuracy class IT1 = 6 µm pitch error accross 300 mm thread length

JTi5-1,00x0,250: BSA 25 x 6,35; accuracy class IT5 = 23 µm pitch error accross 300 mm thread length