

## HFGS RANGE

HFGS spindles are motorised spindles capable of performing at high speeds during use in boring, milling, turning and drilling applications. High frequency spindles can increase productivity due to their higher speeds, increased power output and improved performance.

The spindles are designed as compact units by incorporating the shaft and electric motor together. Traces of vibration are then removed by balancing the unit.

The spindles generally feature precision angular contact bearings to maximise stiffness of the spindle while minimising temperature rises.

HFGS spindles can be supplied for operation at any common voltage as well as other specifications if required.

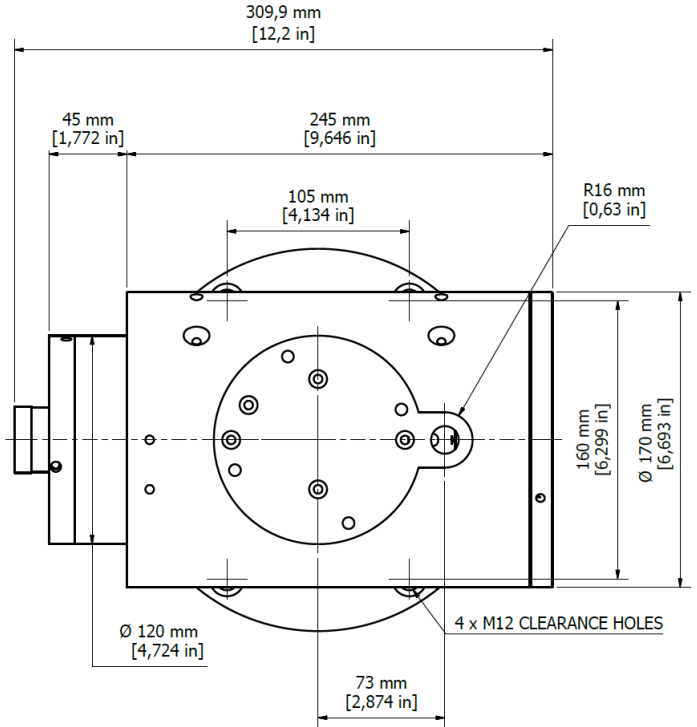
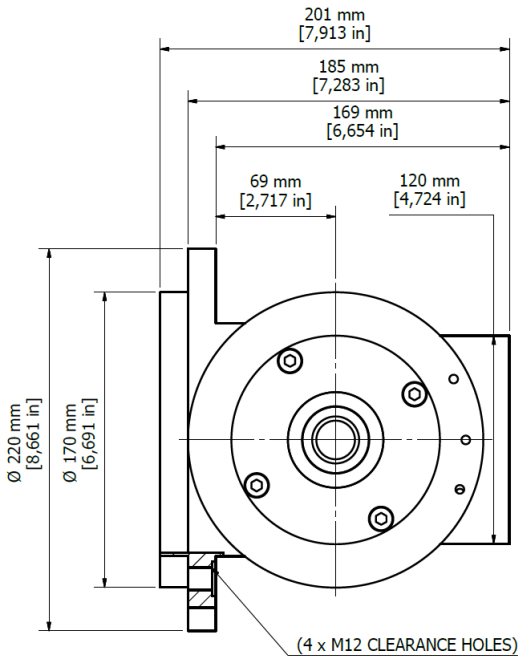
Spindles are designed for a preferred configuration although they can be supplied to run horizontally, vertically or at any angles. For units with coolant requirements there may be other design considerations.

As well as the standard HFGS range, bespoke spindles can be designed to your requirements.

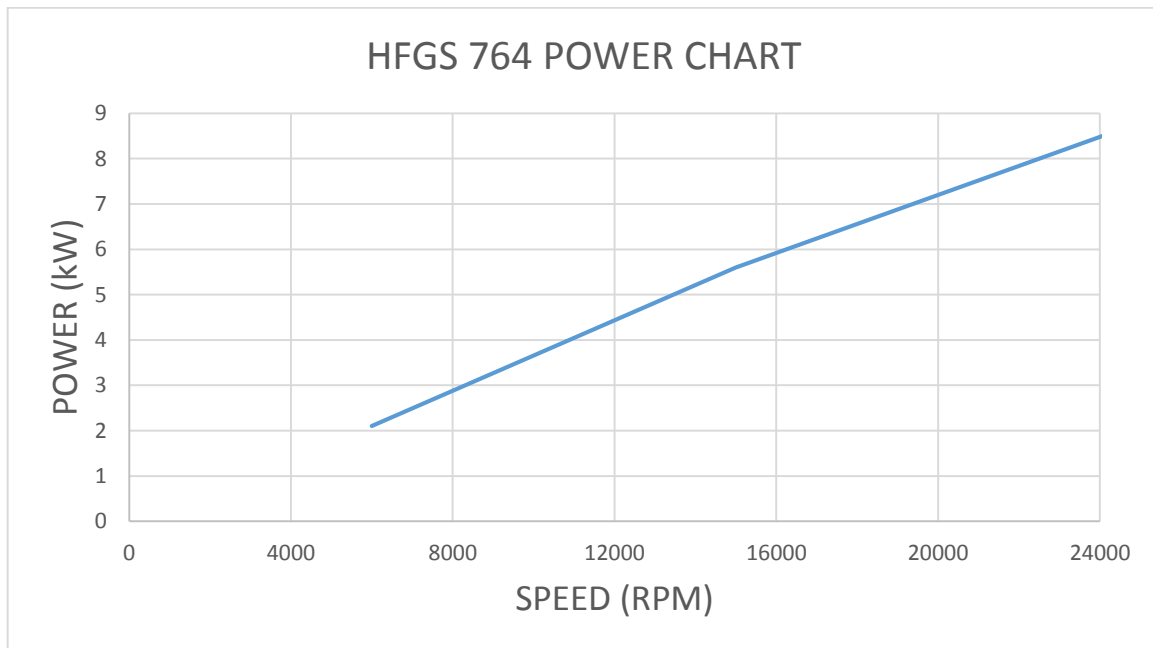
## TECHNICAL DATA

DIMENSIONS (L x W x H OR ØD x L)	310 x 220 x 200 mm	12.2 x 4.7 x 7.9 in
MAX SPEED	24000 RPM	
POWER	8.5 kW	11.4 HP
ROTATION	ANTI-CLOCKWISE	
VOLTAGE	220	
SUPPLY FREQUENCY	400 Hz	
LUBRICATION	OIL/AIR	
TOOL INTERFACE	COLLET	
COOLING	WATER	
ORIENTATION	VERTICAL NOSE DOWN	
BODY TYPE	FOOT MOUNT	

## DIMENSIONS



## POWER CHART\*



\*Typical power curve, motor specification subject to change